



CERTIFICATE OF APPROVAL

No CF 5306

This is to certify that, in accordance with
TS00 General Requirements for Certification of Fire Protection Products
The undermentioned products of

FIRE GLASS UK LIMITED

Unit 24 - 26 Hainge Road, Tividale, Oldbury, West Midlands
B69 2NH
Tel: 0121 667 9089

Have been assessed against the requirements of the Technical Schedule(s)
denoted below and are approved for use subject to the conditions
appended hereto:

CERTIFIED PRODUCT

'Firesafe 6', 'FD30/0' and
'Firesafe 19' Fire Resisting Glass

TECHNICAL SCHEDULE

TS 25 Fire Resistant Glass,
Glazing Systems and Materials

Signed and sealed for and on behalf of Warringtonfire Testing and Certification Limited

Paul Duggan
Certification Manager

Issued: 6th August 2015
Revised: 21st January 2020
Valid to: 5th August 2020





CERTIFICATE No CF 5306 FIRE GLASS UK LIMITED

Firesafe 6, FD30/0 and Firesafe 19 Fire Resisting Glass

This Certificate of Approval relates to the fire resistance of Fire Glass UK Ltd.'s 'Firesafe' and 'FD30/0' glass products when used in the following applications, as defined in BS 476: Part 22: 1987 subject to the undermentioned conditions.

Application	Fire Resistance Performance (mins)	
	Integrity	Insulation
Firesafe 6 in Timber based doorsets (6 mm thick toughened glass)	30	0
FD30/0 in Timber based screens – single pane fixed lights only (19 mm thick toughened glass)	30	0
Firesafe 19 in Timber Based Doorsets (19 mm thick toughened glass)	30	0

This product is approved on the basis of:

- Initial type testing
- A design appraisal against TS25
- Audit testing
- Inspection and surveillance of factory production control
- Certification of quality systems to ISO 9001: 2008

This Certificate of Approval must be read in conjunction with CERTIFIRE Technical Schedule TS25, Fire Resistant Glass, Glazing Systems and Materials.

General Requirements:

Firesafe 6 (6 mm toughened):

- The bead edge cover to each pane shall be 8 mm and edge clearance shall be no less than 2.5 mm to each vertical edge and 2.5 mm along the top edge.
- There is no restriction to the direction of exposure for the glass i.e. the glass is symmetrical.
- Any number of panes may be included in the door leaves covered below providing the door leaf is capable of supporting this principle.

Page 2 of 11 Signed
E/308

Issued: 6th August 2015
Revised: 21st January 2020
Valid to: 5th August 2020



CERTIFICATE No CF 5306

FIRE GLASS UK LIMITED

Firesafe 6 and FD30/0 Fire Resisting Glass

- **FD30/0 (19 mm toughened):** The bead edge cover to each pane shall be 18 mm and edge clearance shall be no less than 10 mm to each vertical edge and 10 mm along the top edge.
- There is no restriction to the direction of exposure for the glass i.e. the glass is symmetrical.
- Approval is given for glass when used within single paned fixed lights only.

Firesafe 19 Fire Resisting Glass

- **Firesafe 19 (19 mm toughened):** The bead edge cover to each pane shall be 18 mm and edge clearance shall be no less than 10 mm to each vertical edge and 10 mm along the top edge.
- There is no restriction to the direction of exposure for the glass i.e. the glass is symmetrical.
- Any number of panes may be included in the door leaves covered below providing the door leaf is capable of supporting this principle.

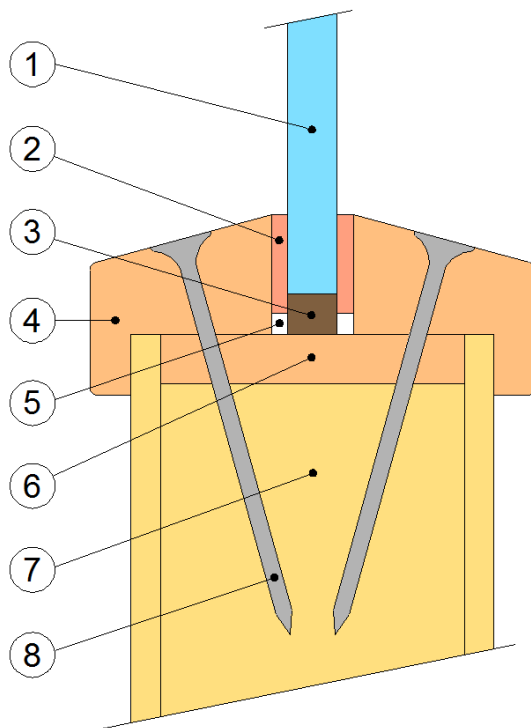
Production

This approval relates to on going production. Product and/or its immediate packaging is identified with the manufacturer's name, the product name or number, the CERTIFIRE name or name and mark, together with the CERTIFIRE certificate number and application when appropriate.

This certification is provided to the client for their own purposes and we cannot opine on whether it will be accepted by Building Control authorities or any other third parties for any purpose.

CERTIFICATE No CF 5306 FIRE GLASS UK LIMITED

'Firesafe 6' glass (6 mm toughened) in timber based doorsets for periods of 30 minutes integrity



1. Firesafe 6 glass, 6 mm thick
2. Closed cell foam glazing tape: 'FIRE + ACOUSTIC 78130', 12mm by 2 mm
3. Max 5 mm hardwood setting blocks
4. 22 mm high by 22 mm wide MDF beads including a 5 mm by 7 mm bolection, chamfered to 15°
5. Acrylic intumescent mastic to void, both sides
6. 6mm thick MDF liner to aperture (minimum density 550kg/m³)
7. Nominal 44 mm thick FD30 door leaf
8. 50 mm x 2 mm diameter steel pins at maximum of 90 mm centres, angles by 30°

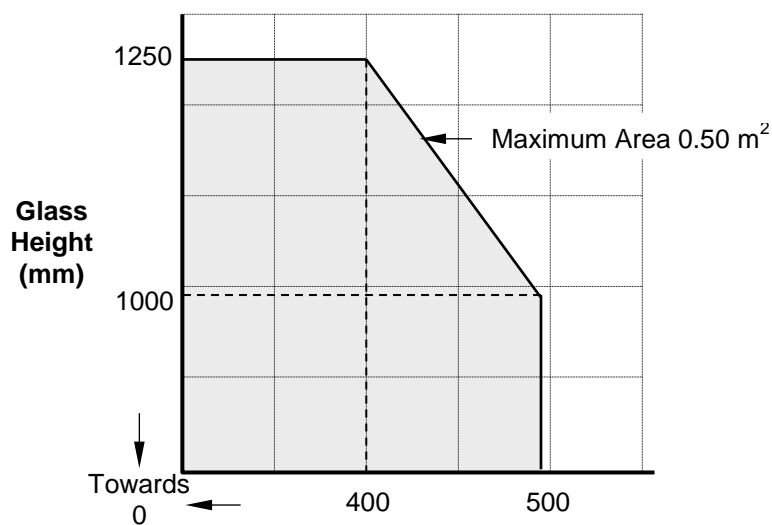
The doorset shall be CERTIFIRE approved or have test evidence for the inclusion of apertures of the proposed dimensions. Only solid cored timber based or cellulosic cores are suitable for being glazed with this system.

This Certificate of Approval relates to the sizes of 'Firesafe 6' glass shown in Figure 1, when used in conjunction with the above system. The aspect ratio of the glass may be unlimited within these aperture dimensions.

CERTIFICATE No CF 5306 FIRE GLASS UK LIMITED

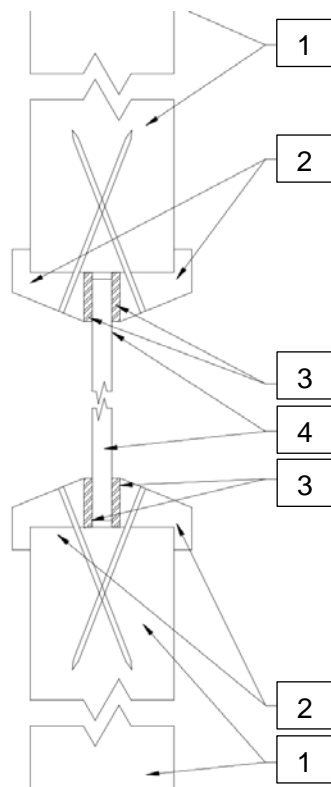
'Firesafe 6' glass (6 mm toughened) in timber based doorsets for periods of 30 minutes integrity

Figure 1.
Maximum Permitted Glass
Dimensions



CERTIFICATE No CF 5306 FIRE GLASS UK LIMITED

Firesafe 6' glass (6 mm toughened) in timber based doorsets for periods of 30 minutes integrity



1. Nominal 44 mm thick FD30 door leaf with a 44 mm thick hardwood liner (620kg/m³) framing the perimeter of the aperture
2. MDF beads with mitred corners 22mm high by 21mm wide including a 7mm high x 6mm wide bolection, chamfer angle of 22°. Fixed using 60mmx16swg gun fired steel pins, 50 mm from corners and 100 mm centres at 30° to glass.
3. Sealmaster Intumescent Closed Cell Foam Tape, 15 mm x 3 mm uncompressed.
4. Firesafe 6 Glass, 6 mm thick (no setting block required)*

*Edge cover to be 11mm at head, 12mm at vertical edges and 15mm at bottom giving glass expansion allowance of 3mm each side and 4mm at top edge

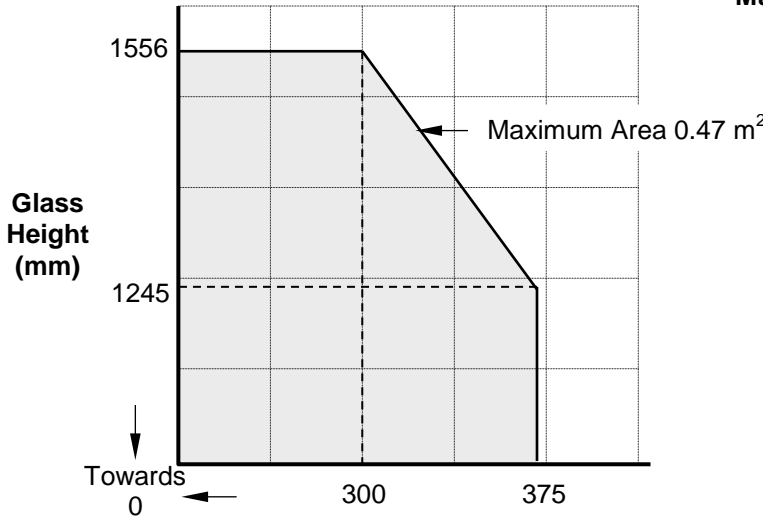
The doorset shall be CERTIFIRE approved or have test evidence for the inclusion of apertures of the proposed dimensions. Only solid cored timber based or cellulosic cores are suitable for being glazed with this system.

This Certificate of Approval relates to the sizes of 'Firesafe 6' glass shown in Figure 2, when used in conjunction with the above system. The aspect ratio of the glass may be unlimited within these aperture dimensions.

CERTIFICATE No CF 5306 FIRE GLASS UK LIMITED

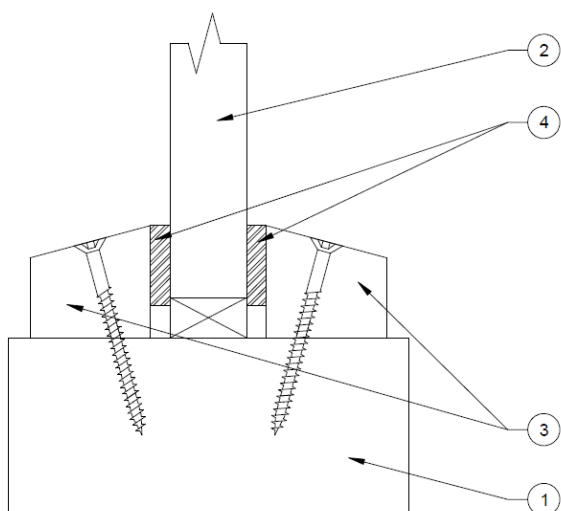
'Firesafe 6' glass (6 mm toughened) in timber based doorsets for periods of 30 minutes integrity

Figure 2.
Maximum Permitted Glass
Dimensions

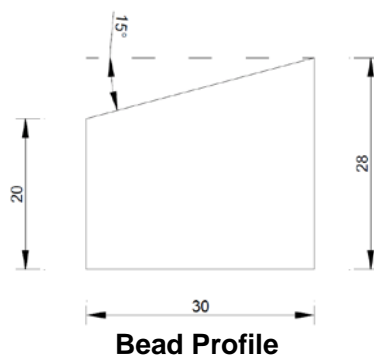


CERTIFICATE No CF 5306 FIRE GLASS UK LIMITED

'FD30/0' glass (19 mm toughened) in timber based single paned screens for periods of 30 minutes integrity



1. Hardwood frame (minimum 720kg/m³ density inc. beech), 100 mm wide by 44 mm thick
2. FD30/0 19 mm toughened glass on 10 mm Supalux setting blocks along bottom edge only
3. Hardwood glazing beads (Beech, 720kg/m³ density), 28 mm high by 30 mm deep with a 15° chamfer, fixed with 50 mm long x 3.9mm diameter steel screws inserted perpendicular to the splay of bead at 150 mm centres
4. Sealmaster Intumescent Foam Glazing Tape, 20 mm by 5 mm uncompressed



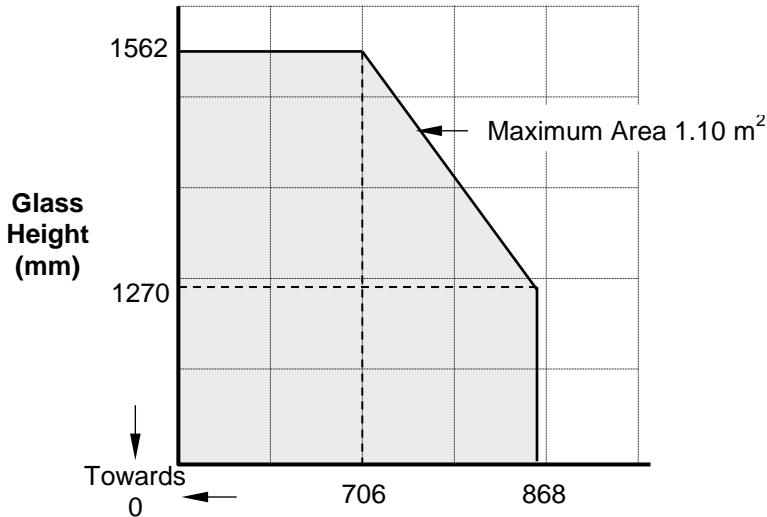
This Certificate of Approval relates to the sizes of 'FD30/0' glass shown in Figure 3, when used in conjunction with the above system. The aspect ratio of the glass may be unlimited within these aperture dimensions.

Approval is given for single pane fixed lights only. Multi-paned screens, incorporating shared transoms and/or mullions are not approved.

CERTIFICATE No CF 5306 FIRE GLASS UK LIMITED

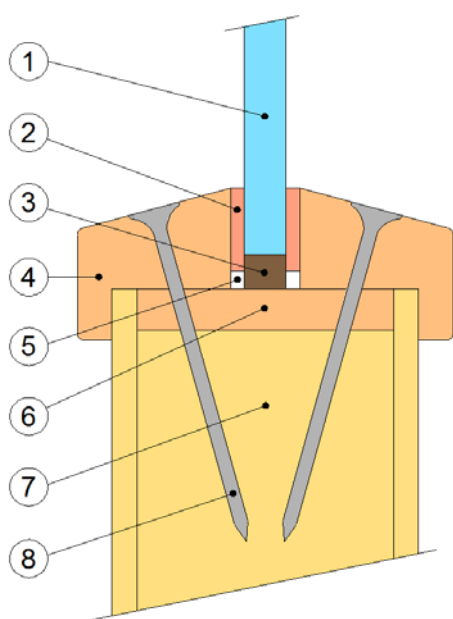
'FD30/0' glass (19 mm toughened) in timber based single paned screens for periods of 30 minutes integrity

Figure 3.
Maximum Permitted Glass
Dimensions

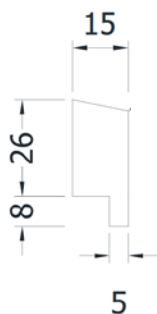


CERTIFICATE No CF 5306 FIRE GLASS UK LIMITED

'Firesafe 19' glass (19 mm toughened) in timber based doorsets for periods of 30 minutes integrity



1. Firesafe 19 glass, 19 mm thick
2. Closed cell foam glazing tape by Acoustic Seals Limited, 15mm by 3 mm
3. 20 mm x 19 mm x 3 mm hardwood setting blocks, loosely fitted underneath base of glass
4. Hardwood beads (510kg/m³), chamfered to 20° (see below for bead dimensions)
5. Firepro Acoustic acrylic intumescent mastic to void, both sides
6. 6mm thick hardwood liner to aperture (minimum density 510kg/m³)
7. Nominal 44 mm or 54 mm thick FD30 door leaf
8. 45 mm x 3.7 mm diameter brass screws at maximum of 120 mm centres, angled by 20°



Bead dimensions for 44mm thick leaf



Bead dimensions for 54mm thick leaf

The doorset shall be CERTIFIRE approved or have test evidence for the inclusion of apertures of the proposed dimensions. Only solid cored timber based or cellulosic cores are suitable for being glazed with this system.

This Certificate of Approval relates to the sizes of 'Firesafe 19' glass shown in Figure 4, when used in conjunction with the above system. The aspect ratio of the glass may be unlimited within these aperture dimensions.

CERTIFICATE No CF 5306 FIRE GLASS UK LIMITED

'Firesafe 19' glass (19 mm toughened) in timber based doorsets for periods of 30 minutes integrity

Figure 4.
Maximum Permitted Glass
Dimensions

